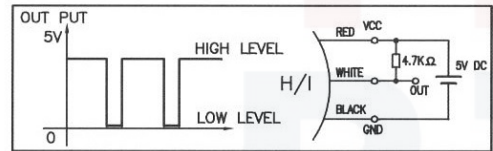
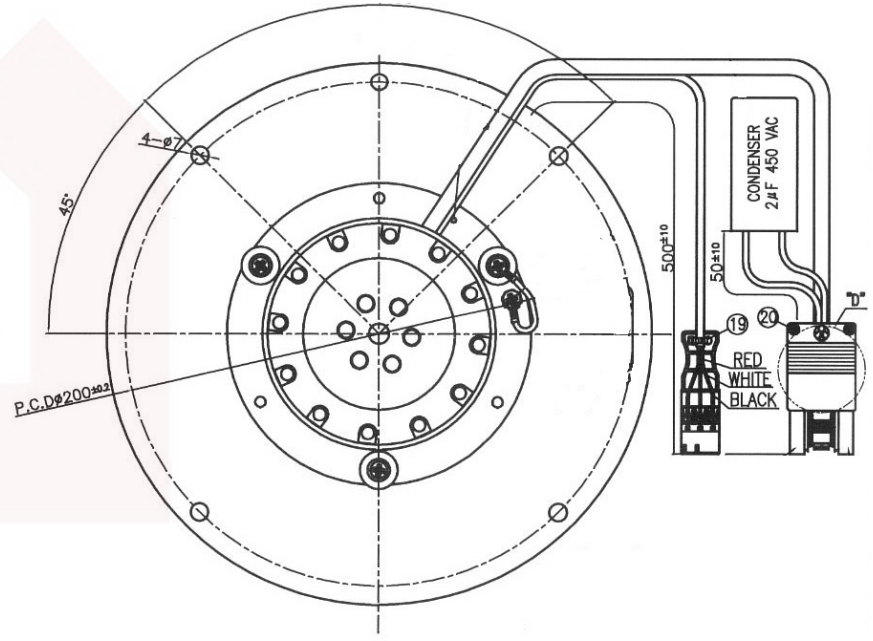
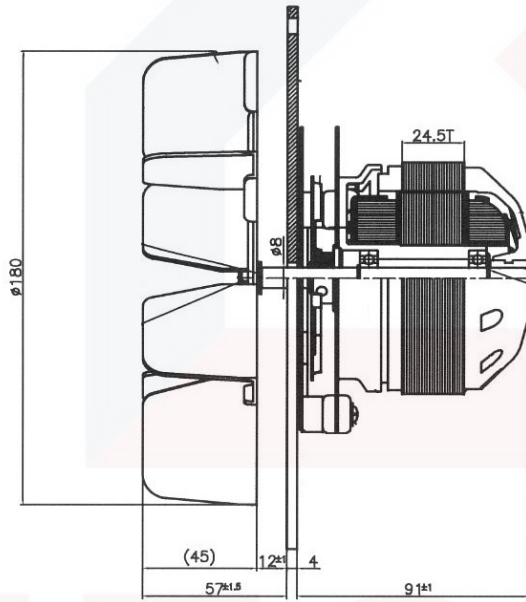
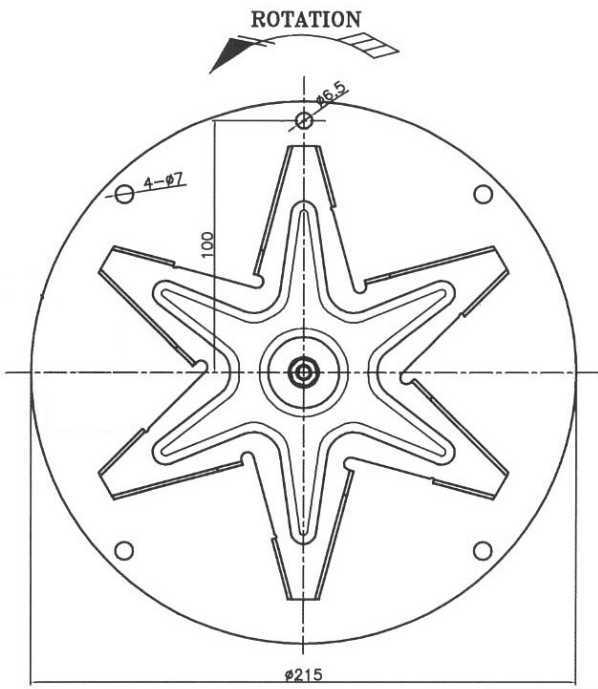
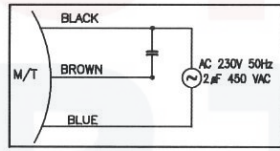


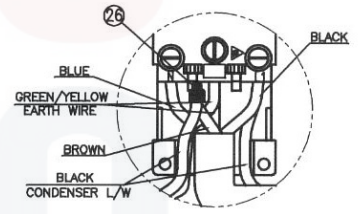
⑰ OSB-9225-A1845H
 AC230V 50Hz 2 μ F 450VAC
 "B"



H/I Diagram



MOTOR Diagram



결선 "D"(S=2:1)